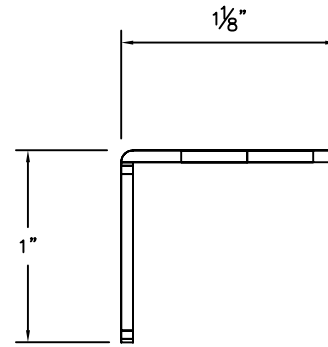
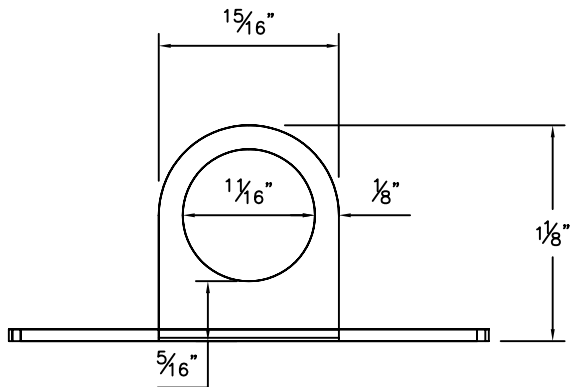


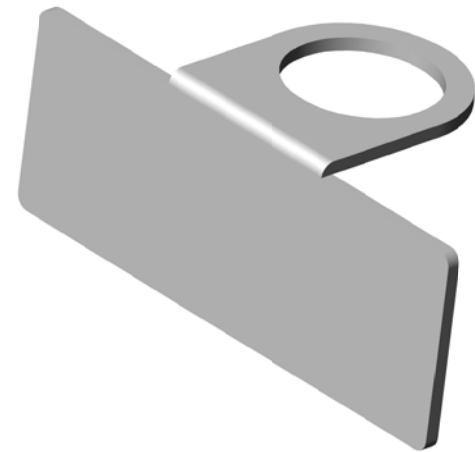
FRONT



SIDE



TOP



ISOMETRIC